

The wall-mounted coat rack 70x28 is used when a high number of hooks is required in a confined space. In addition, the wardrobe impresses with a clear and functional design. As a wall-mounted model, this product is the visual extension to our RG70x28 series coat stand - so coat rack capacities can be expanded easily and individually.

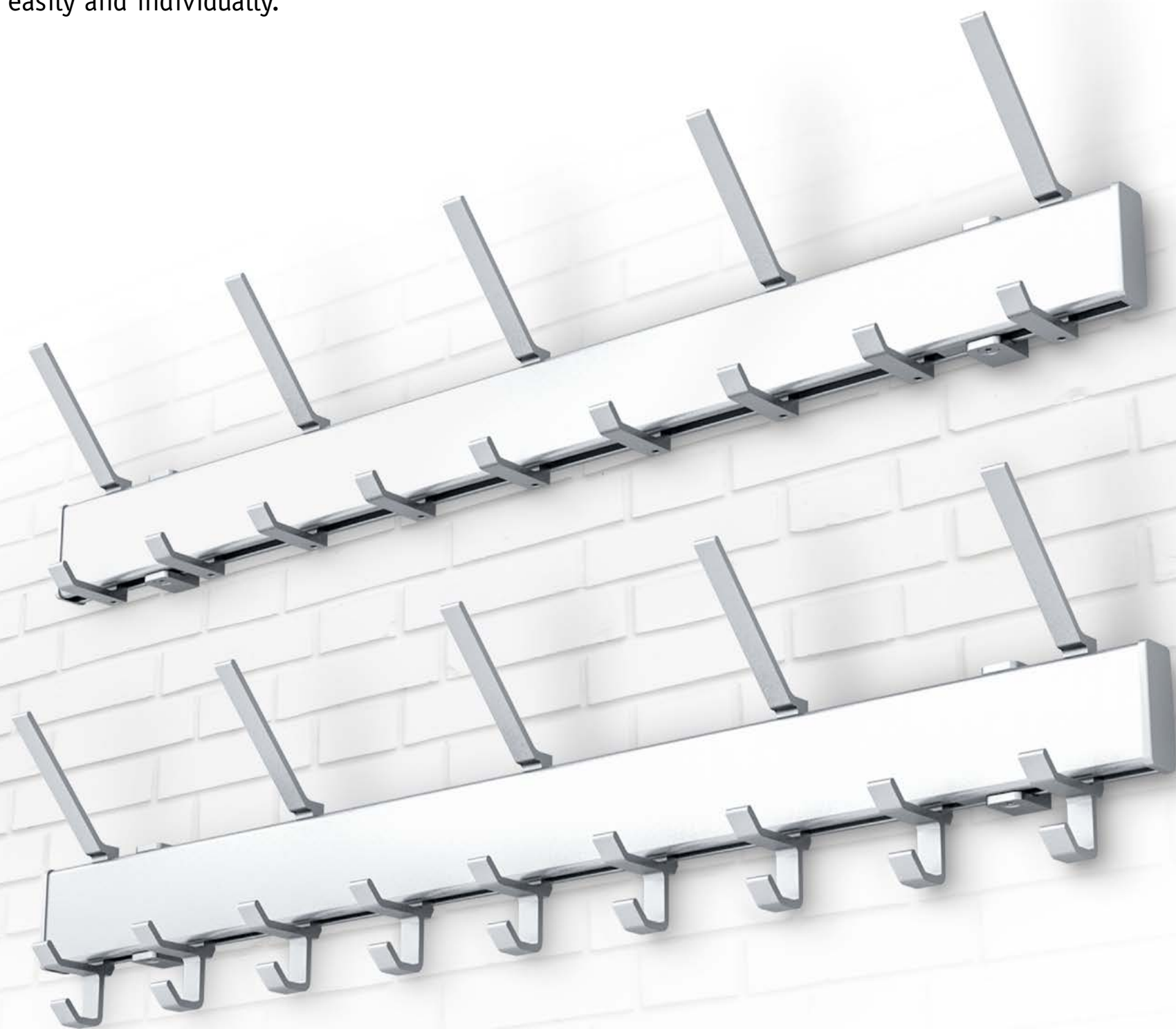


Illustration: Item No WG70x28111900 und WG70x28211900

**A Hook options**

**1**

▲ Choose between the following hook options

**1** 2 position coat rack hooks

**2**

▲ Choose between the following hook options

**2** 4 position coat rack hooks

**B Hook colours**

**1**

▲ Choose between the following colour options

**1** natural anodized

**2**

▲ Choose between the following colour options

**2** black anodized

**C Hat hooks**

**1**

▲ Choose between the following hat hooks options

**1** with hat rack hooks

**2**

▲ Choose between the following hat hooks options

**2** without hat rack hooks

**D Length**

Length mm	900	1000	1100	1200	1300	1400	1500	1600	1700	1800	1900	2000	2100
Hat rack	5	5	6	6	7	7	8	8	9	9	10	10	11
A1 Coat rack 2 position hooks	9	10	11	12	13	14	15	16	17	18	19	20	21
A2 Coat rack 4 position hooks	18	20	22	24	26	28	30	32	34	36	38	40	42

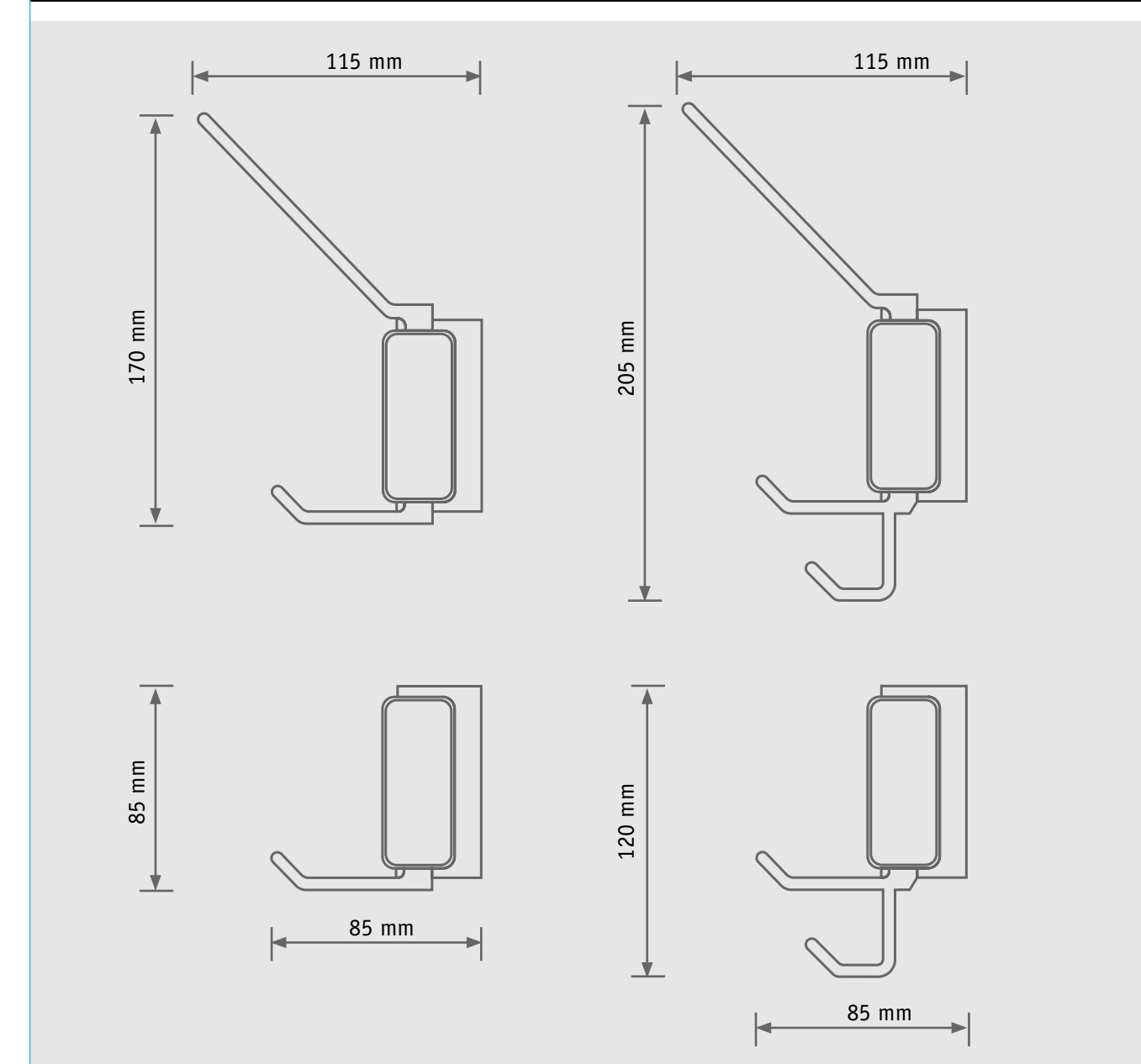
Now configure your desired coat rack. The product base number together with your selection create the article number. Using this number you can order from us by phone or by email:

Tel. +49-2334 9096-10  
 info@garderoben-haarmann.de

Base number

WG70x28 A B C D

**Dimensions**



Max. length 5000 mm - contact us!

For more information on ordering and your article number please see page 2!

Technical details as at 07/2019, subject to modification

**Configure your desired coat rack**

**Order**

1.

Assemble your desired coat rack using the fact-sheet. This will then be individually manufactured according to your requirements - Quality directly from the manufacturer!

3.

Order using your article number by phone or by email:

**Tel.+49-2334 9096-10**  
**info@garderoben-haarmann.de**

**The correct article number**

2.

Select from the respective options in the categories A-F. The result is the article number, which you use to order directly from us.

**If you still have questions, then simply call us or send us an e-mail.**



**How can I get my correct article number?**

Easy. For example you want to configure and order the coat rack stand 70\*28?

Proceed as follows: First of all select the desired profile from category **A** e.g. option 2 - the right corner profile 65\*22mm. The first digit after the base number **RG70\*28** is 2.

Select the respective options from the remaining categories. The last 3 or 4 digits are taken from the length of the coat rack, category **F**. For example If you select for a 660 mm long coat rack, the last 3 digits of the article number will be 660.

