

The coat rack stand 40S ensures maximum mobility and, due to the many options, can be precisely customised to meet the needs of the customer.

Of particular note is the IFA-certified hook cap and the large number of hooks in a narrow space.. As an optional extra this can be equipped with a single- or double-sided bench seat. See **accessories** for issue tags and additional options.

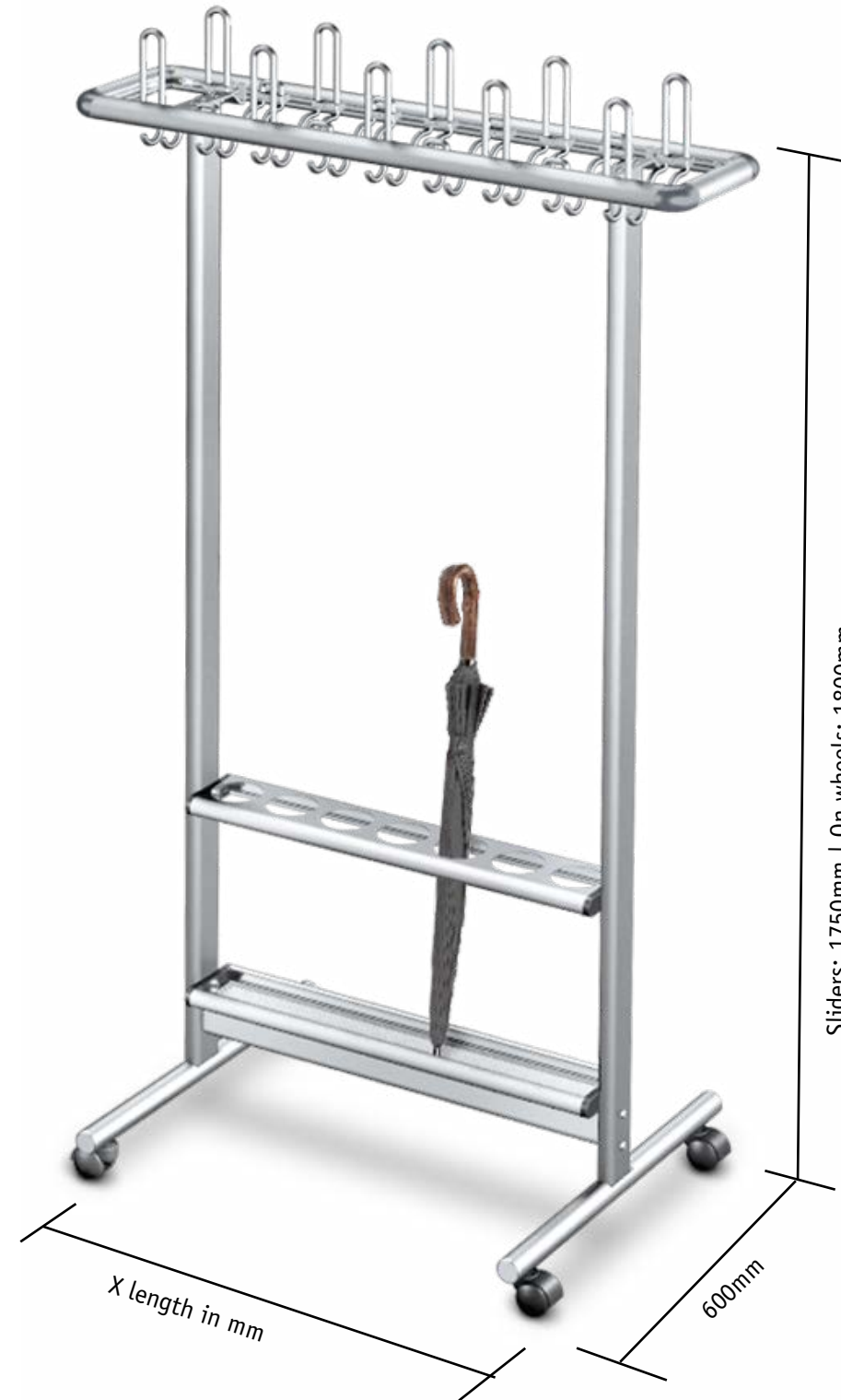
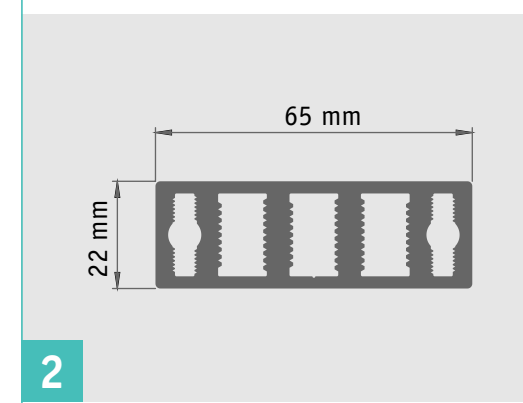
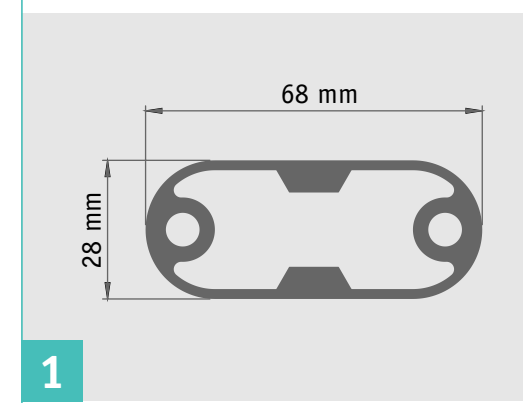


Illustration:  
Article No. **RG40S112111060**

**A Profile options**


- ▲ Profile options for the mounting stand and the bottom cross bar
- 1 Oval profile 68x28mm
- 2 Right corner profile 65x22mm

**B Hook options**


- ▲ Choose between the following hook options
- 1 alternate 3 position to 2 position hook
- 2 3 position hook
- 3 2 position hook

**C Umbrella holder**

- choose between the following umbrella holder options
- 1 without umbrella holder
  - 2 with umbrella holder

**D Foot options**


- ▲ Choose between the following foot variations
- 1 Diameter 40\*600mm
- 2 Oval 68\*28\*600mm
- 3 Floor mounted sheet as ceiling suspension possible
- 4 Right corner 65\*22\*600mm

**E Mobility**

- Choose between the mobility options
- 1 on wheels
- 2 adjustable feet / floor-mounted

**F Length**

Length mm		660	760	860	960	1060	1160	1260	1360	1460	1560	1660	1760	1860	1960	2060
B1	Hat rack	6	6	8	8	10	10	12	12	14	14	16	16	18	18	20
	Coat rack	20	24	28	32	36	40	44	48	52	56	60	64	68	72	76
B2	Hat rack	6	8	10	10	12	14	14	16	18	18	20	22	22	24	26
	Coat rack	12	16	20	20	24	28	28	32	36	36	40	44	44	48	52
B3	Coat rack	20	24	28	32	36	40	44	48	52	56	60	64	68	72	76
Umbrella rack		3	4	5	6	7	8	9	10	11	12	13	14	15	16	17



Now configure your desired coat rack. The product base number together with your selection create the article number. Using this number you can order from us by phone or by email:

**Tel. +49-2334 9096-10**  
**info@garderoben-haarmann.de**

Base number

<b>A</b>	<b>B</b>	<b>C</b>	<b>D</b>	<b>E</b>	<b>F</b>
RG40S					

For more information on ordering and your article number please see page 2!

**Configure your desired coat rack**

**Order**

1.

Assemble your desired coat rack using the fact-sheet. This will then be individually manufactured according to your requirements - Quality directly from the manufacturer!

3.

Order using your article number by phone or by email:

**Tel.+49-2334 9096-10**  
**info@garderoben-haarmann.de**

**The correct article number**

2.

Select from the respective options in the categories A-F. The result is the article number, which you use to order directly from us.

**If you still have questions, then simply call us or send us an e-mail.**



**How can I get my correct article number?**

Easy. For example you want to configure and order the coat rack stand 70\*28?

Proceed as follows: First of all select the desired profile from category **A** e.g. option 2 - the right corner profile 65\*22mm. The first digit after the base number **RG70\*28** is 2.

Select the respective options from the remaining categories. The last 3 or 4 digits are taken from the length of the coat rack, category **F**. For example If you select for a 660 mm long coat rack, the last 3 digits of the article number will be 660.

